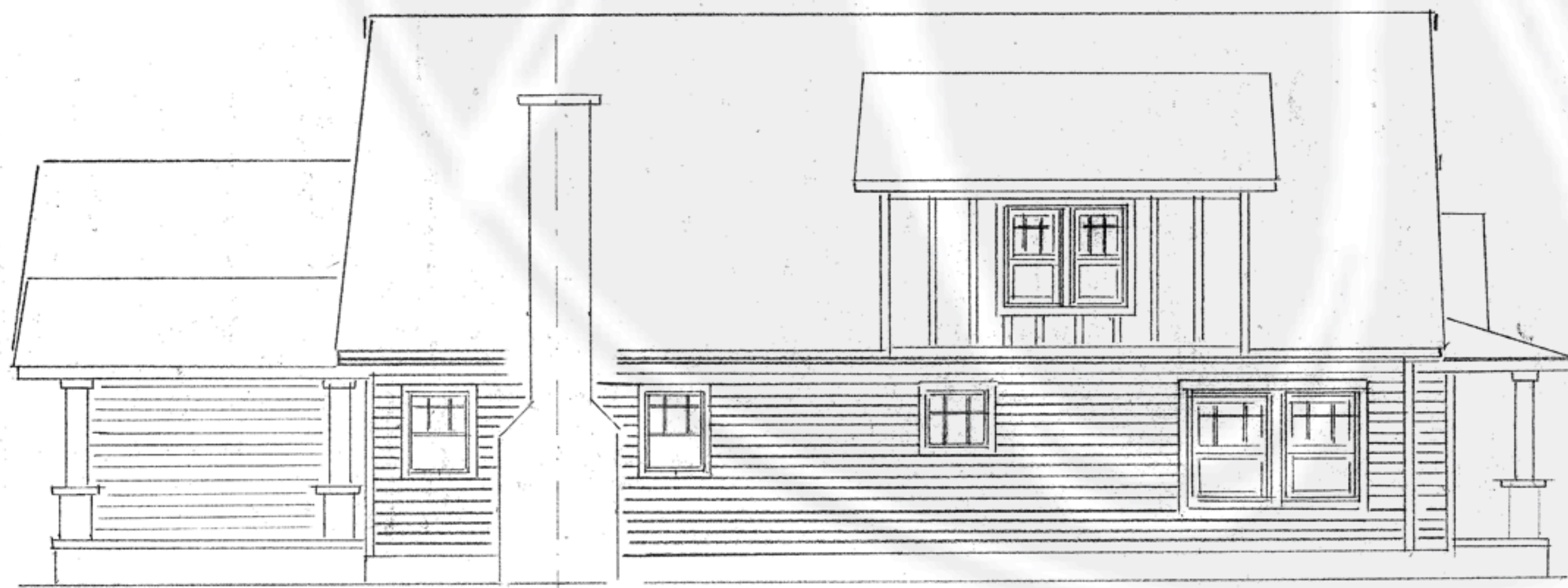


1ST FLOOR HEATED SPACE: 2,480 SF

FIRST FLOOR PLAN
SCALE: 1/4" = 1' 0"

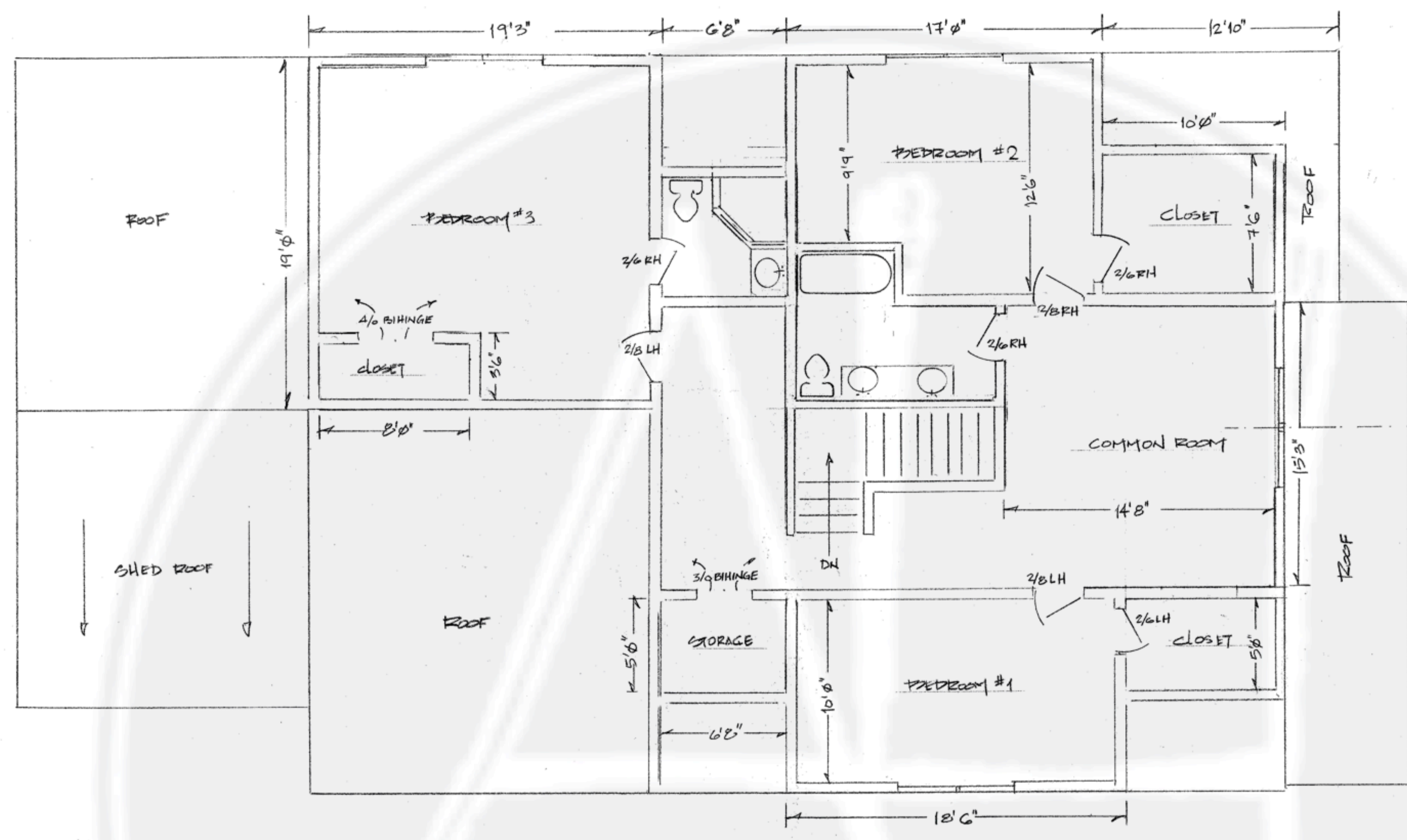


DRIVEWAY SIDE ELEVATION
SCALE: 3/16" = 1' 0"



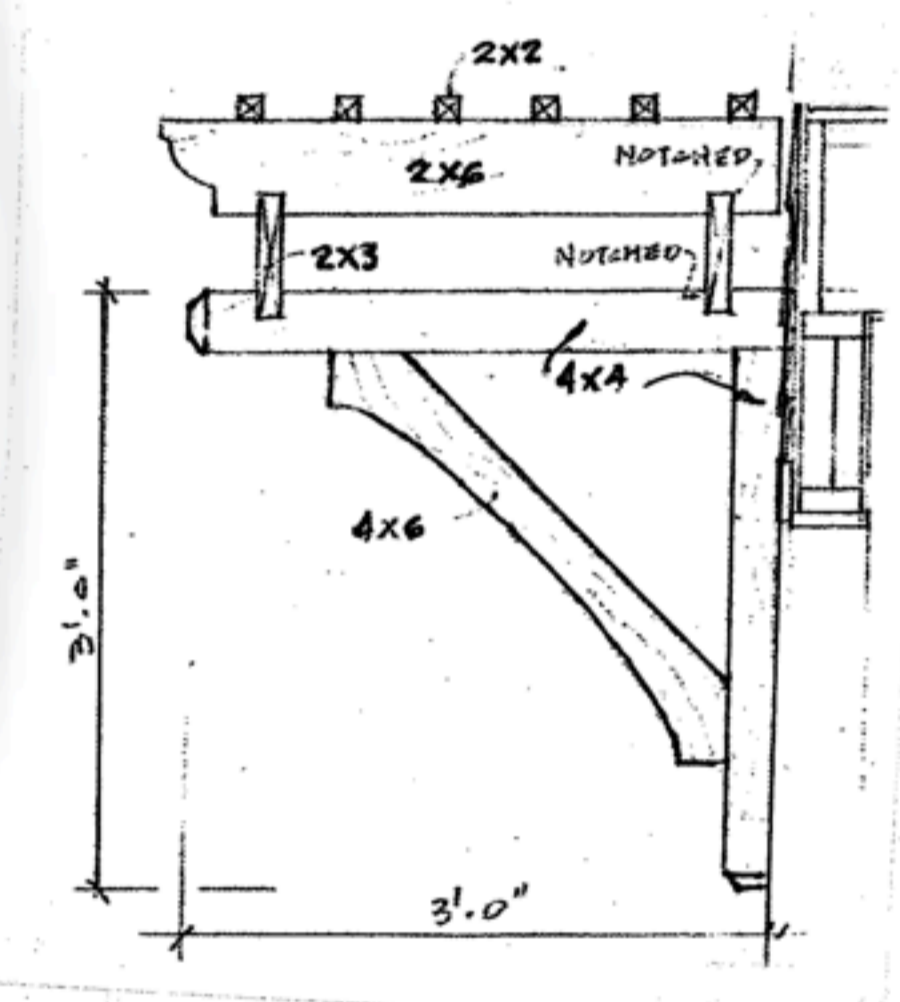
FRONT ELEVATION
SCALE: 3/16" = 1' 0"





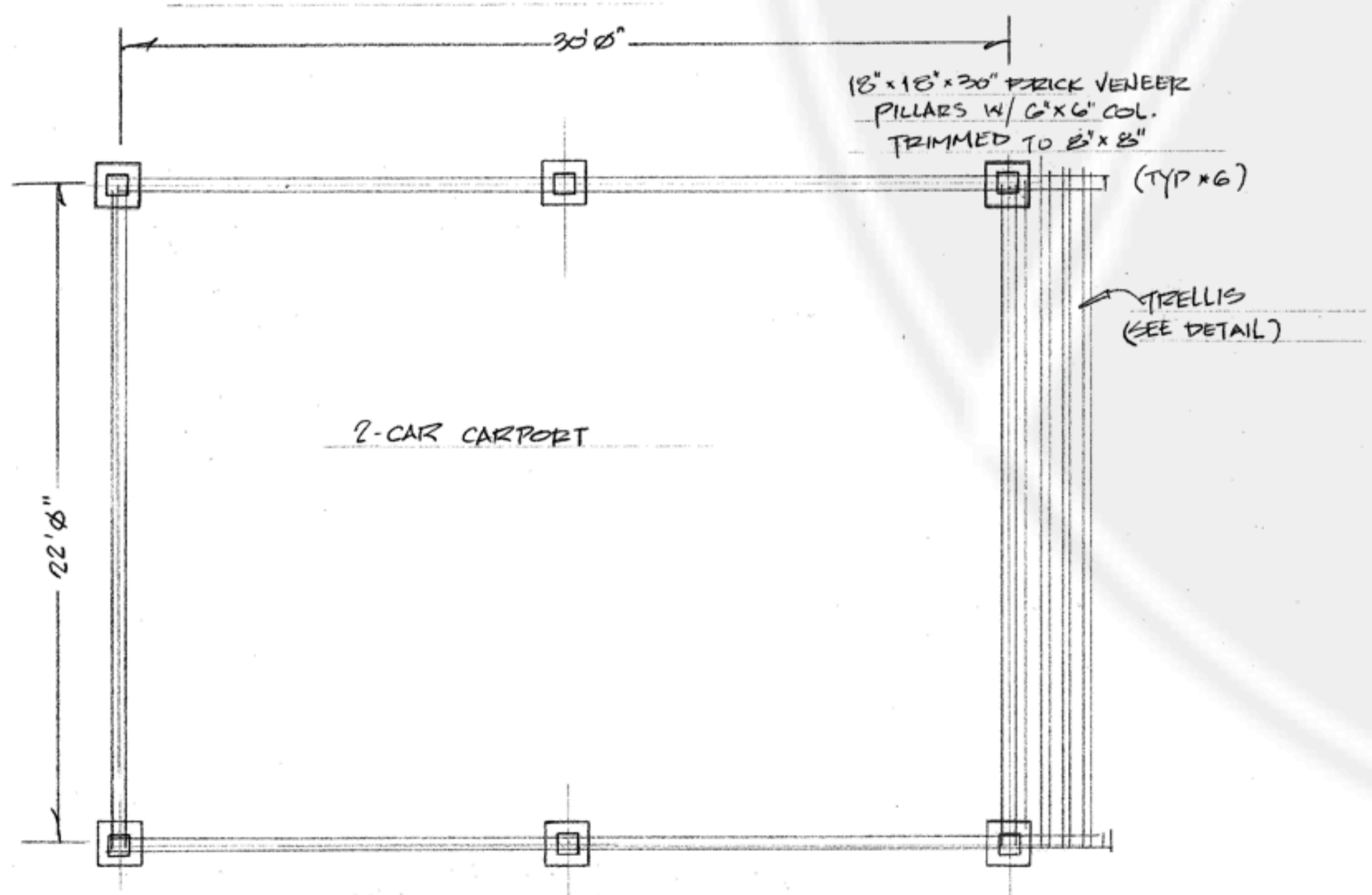
2ND FLOOR HEATED SPACE = 1,360 SF

SECOND FLOOR PLAN
SCALE: 1/4" = 1' 0"

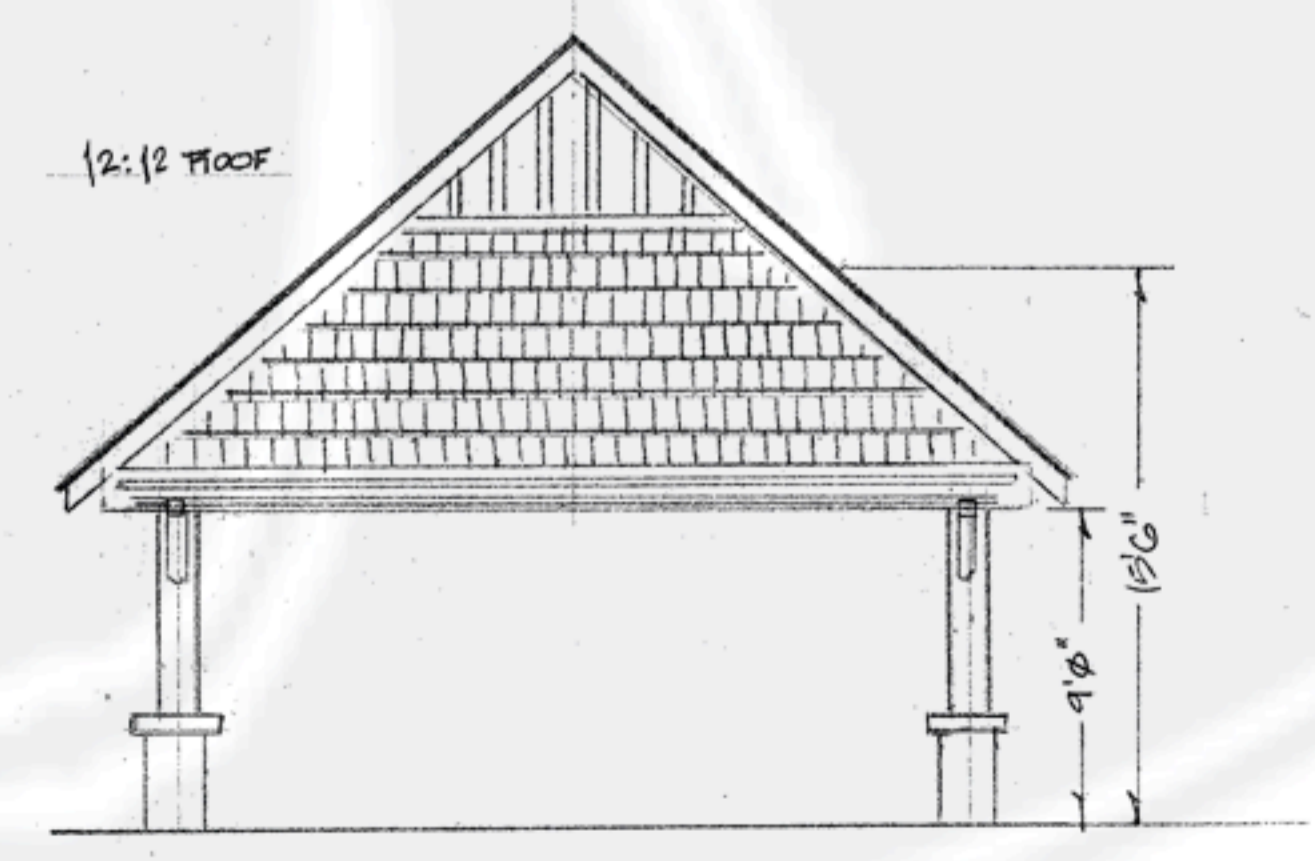


TRELLIS DETAIL
SCALE: 1" = 1' 0"

CARPORIT CEILING BEADED PLYWOOD
W/ PULL-DOWN LADDER TO ATTIC STORAGE
SHEET ATTIC W/ 3/4" OSB OR PLY



CARPORIT PLAN
SCALE: 1/4" = 1' 0"



CARPORIT FRONT ELEVATION
SCALE: 3/16" = 1' 0"

